

# WR-E1/M1/E2/M2

V1.0

## INSTALLATION HW 1.0

### A. Package Content

Reader x 1, Installation manual x 1  
Accessory kit x 1 (Plastic screw X 2, Fastening screw X 2)

### B. Installation

1. Open the back cover of reader.
2. Please use the attached screws to fix the back cover to the position.
3. Pass the cable through the central circle hole of back cover.
4. Combine the body

#### ● Specification

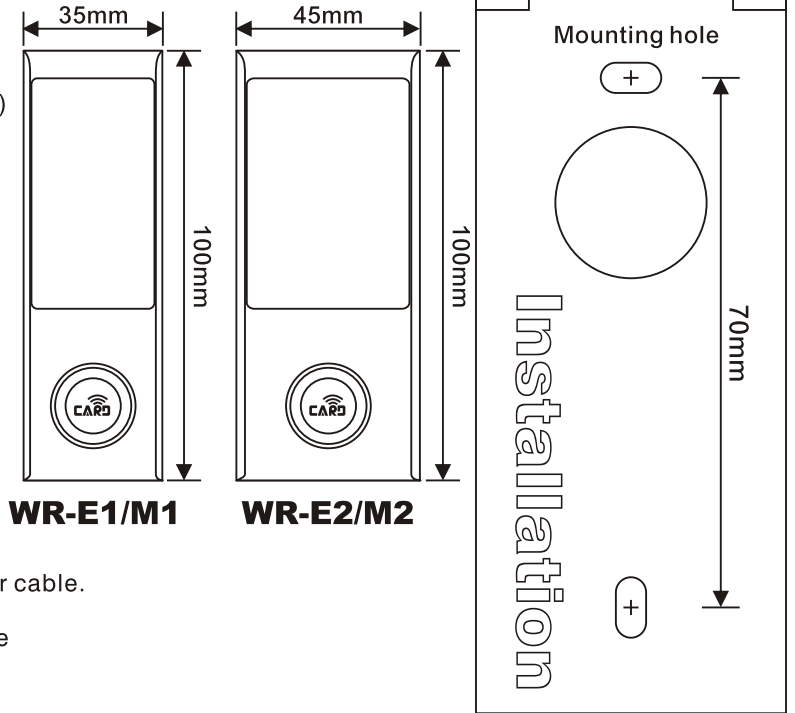
Voltage Range: 9~24V DC  
Max current: 200mA  
Distance for Wiegand communication: 80M

#### ● Recommend

Shielded cable & linear DC power supply

#### ● Notice

Do not connect other cable to power except the power cable.  
Do not apply any unverified power supply to the unit, otherwise it may cause system unstable and hardware damaged.



### C. System wiring explanation

#### ● BF-50, SEMAC RJ-45 cable and Wiegand reader wire connection

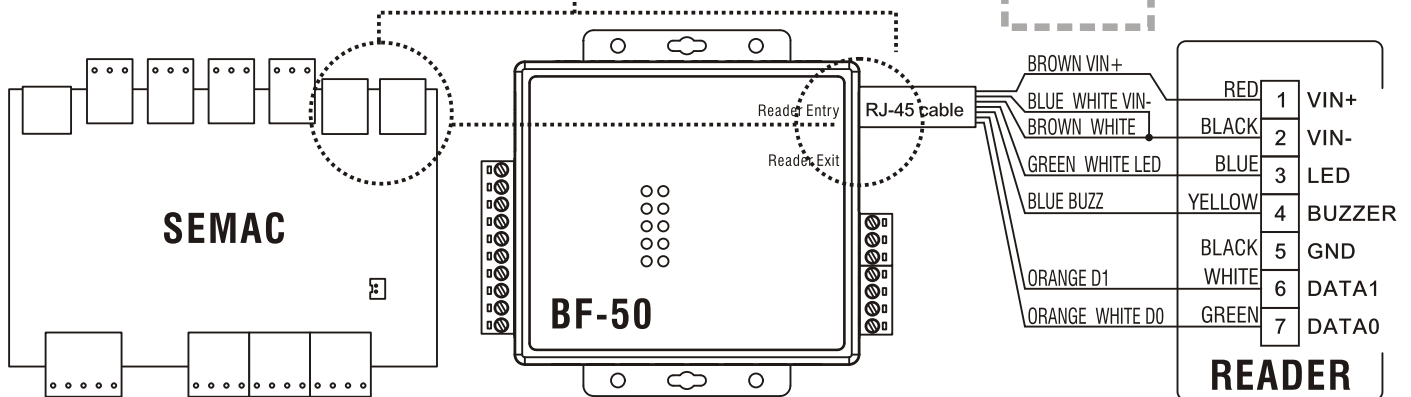
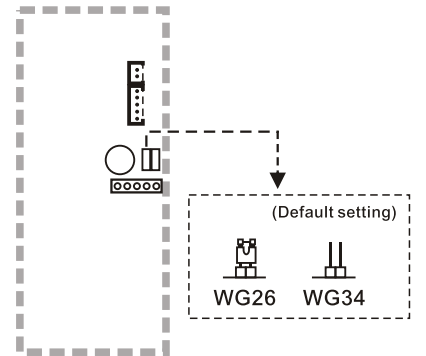
1	ORANGE WHITE	D0, WG input 0
2	ORANGE	D1, WG input 1
3	GREEN WHITE	LED control contact
4	BLUE	Buzzer control contact
5	BLUE WHITE	Reader sensing control ( Must short GND)
6	GREEN	Reserved
7	BROWN WHITE	POWER-
8	BROWN	POWER+

DC 12V

#### ● WR-E1/M1/E2/M2 Cable color

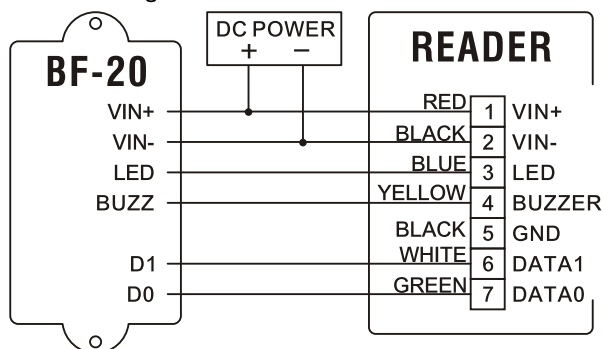
1	RED	VIN+	9~24V DC
2	BLACK	VIN-	
3	BLUE	LED CONTROL CONTACT	
4	YELLOW	BUZZER CONTROL CONTACT	
5	BLACK	GND	
6	WHITE	DATA1	
7	GREEN	DATA0	

### D. Machine backside introduction



#### ● BF-20 & WG 34 RFID reader Connection

##### 1. Sharing Power



##### 2. Independent power supply

